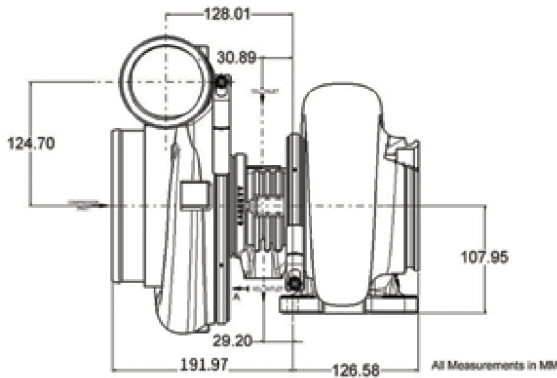


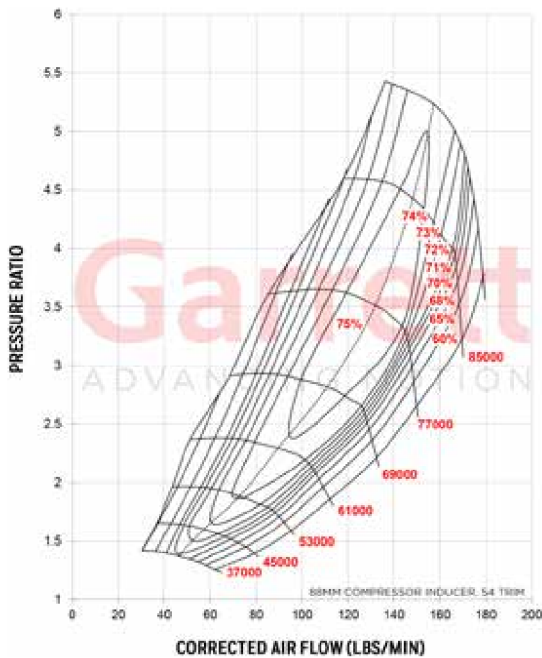
# Garrett® GTX4720R GEN II NEW PRODUCT



Horsepower: 1025 - 1950  
Displacement: 2.5L - 10.0L



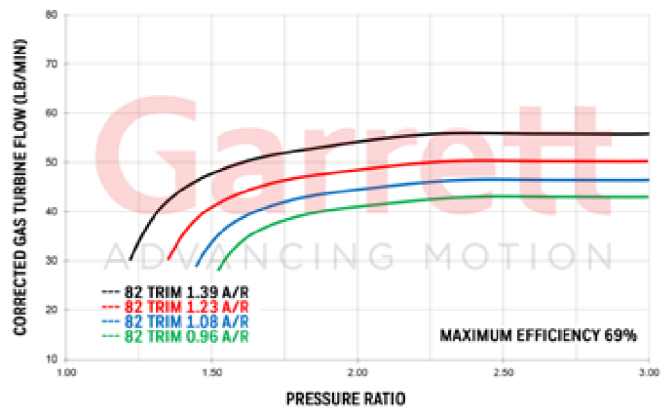
## COMPRESSOR MAP



## FEATURES:

- ◆ GEN 2 COMPRESSOR WHEEL AERODYNAMICS
- ◆ 9% INCREASED COMPRESSOR FLOW
- ◆ 76MM, 80MM, 88MM INDUCER CONFIGURATIONS
- ◆ .88 A/R COMPRESSOR HOUSING VOLUTE
- ◆ 30% LOWER INERTIA THAN PREVIOUS GENERATION
- ◆ SUPER CORE AND TURBINE HOUSING SOLD SEPARATELY
- ◆ COMPATIBLE WITH GT AND GTX GEN I TURBINE HOUSINGS

## EXHAUST FLOW CHART



GTX4720R Gen II Reference Data	Compressor				Turbine		
	Super Core PN	Inducer	Exducer	Trim	A/R	Inducer	Exducer
851285-5013S	76mm	120mm	41	0.88	93mm	84mm	82
851285-5014S	80mm	120mm	45	0.88	93mm	84mm	82
851285-5015S	88mm	120mm	54	0.88	93mm	84mm	82
<b>Notes:</b>	<b>Turbine Kit PN</b>	<b>A/R</b>	<b>Inlet</b>	<b>Outlet</b>	<b>Wastegate</b>	<b>Divided</b>	<b>Trim</b>
Super Core and Turbine Kit Sold Separately	761208-0009	0.96	T6	V-Band	Free Float	N	82
	761208-0010	1.08	T6	V-Band	Free Float	N	82
	761208-0011	1.23	T6	V-Band	Free Float	N	82
	761208-0012	1.39	T6	V-Band	Free Float	N	82